



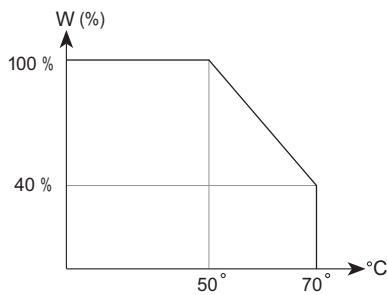
FEATURES

- Designed for PT15V or PS15.
- Up to 16 high torque detents.
- High & low torque detents can be freely mixed.
- Detents configurable to specific positions in complex tapers.
- IP54 protection according to IEC 60529
- Also upon request:
 - Wiper positioned at 50%, fully clockwise and initial.
 - Self extinguishable plastic UL 94V-0.
 - Cut track option (initial / final).
 - Special tapers.
 - Crimped terminals.

MECHANICAL SPECIFICATIONS

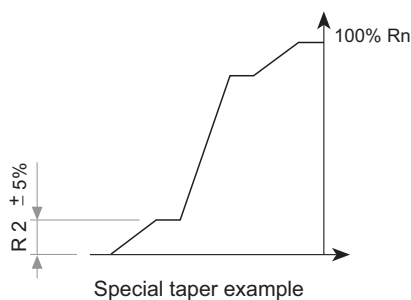
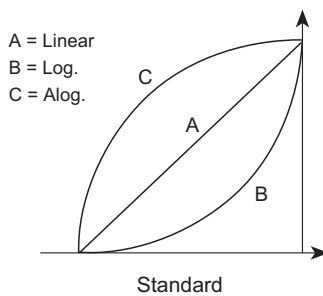
- Mechanical rotation angle: $265^\circ \pm 5^\circ$
 $240^\circ \pm 5^\circ$ available under drawing
- Electrical rotation angle: $240^\circ \pm 20^\circ$
- Detent torque: customisable, up to 8.8 Ncm
- Life (cycles): up to 100K

POWER RATING CURVE



TAPERS

NOTE: Please note terminals disposition when ordering non linear curves.



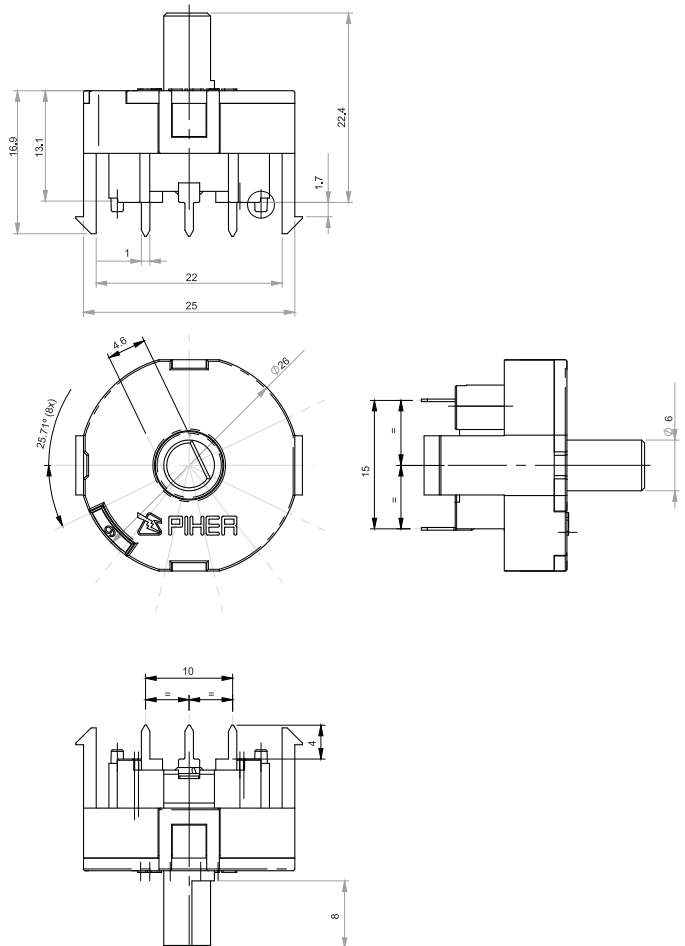
ELECTRICAL SPECIFICATIONS

- Range of values*
 $100\Omega \leq R_n \leq 5\text{ M}$ (Decad. 1.0 - 2.0 - 2.2 - 2.5 - 4.7 - 5.0)
- Tolerance*: $100\Omega \leq R_n \leq 1\text{ M}\Omega$ $\pm 20\%$
 $1\text{ M}\Omega < R_n \leq 5\text{ M}$ $\pm 30\%$
- Max. Voltage: 250 VDC (lin) 125 VDC (no lin)
- Nominal Power 50°C (122°F) (see power rating curve)
0.25 W (lin) 0.12 W (no lin)
- Taper* (Log. & Alog. only $R_n \geq 1\text{ K}$) Lin ; Log; Alog.
- Residual resistance: $\leq 0.5\%$ R_n (5Ω min.)
- Equivalent Noise Resistance: $\leq 3\%$ R_n (3 Ω min.)
- Operating temperature**: $-25^\circ\text{C} + 70^\circ\text{C}$ ($-13^\circ\text{F} + 158^\circ\text{F}$)

* Others upon request

** Up to 85°C depending on application

DIMENSIONS



DCM-PT15: detented control

- High & low torque detents can be freely mixed
- Cut track option (initial / final)
- Detents configurable to specific positions in complex tapers.
- Designed for PT15V or PS15 (SMD)
- Wiper positioned at 50% or fully clockwise
- Resistive track dust proof enclosed
- Up to 16 high torque detents
- Also upon request:

Self extinguishable plastic UL 94V-0

Wiper positioned at 50% or fully clockwise

Special Tapers

Crimped terminals

Standard specifications

Detents number	up to 16
Tapers:	Linear; Log; Alog
Electrical rotation angle:	240°±20°
Mechanical Rotation angle:	265°±5°
Mechanical life:	up to 100K cycles
Operating temperature:	-25°C to +70°C
Detent Torque:	up to 8.8 Ncm



Description

The DCM PT15 was designed to provide a cost effective solution for Appliance Controls. The combination of a PT15/PTC15/PS15/PT15 360° control potentiometer with a Detent Control Mechanism (DCM) affords the appliance designer the possibility to solder the potentiometer onto the Control PCB assembly and then, in a second operation, assemble the DCM over it. This removes the need to build Detents into the User front panel of the appliance, simplifying, and significantly reducing the total cost of the solution.

The detent torque can be modified according to customer's requirements (depending on the input dial's diameter, etc) as can the number and position of the detents.

About Piher Sensors & Controls

Piher is a specialist manufacturer of position sensor and control solutions for the worldwide Land Vehicle and Appliance markets. Our products are typically employed for HVAC (Climate Control), AFL (Adaptive Front Lighting), Infotainment and Seat Memory & Heating in the Automotive industry and for Human Interface applications in the Consumer Electronics, Major Appliances, Power Tools and Industrial/Instrumentation markets.

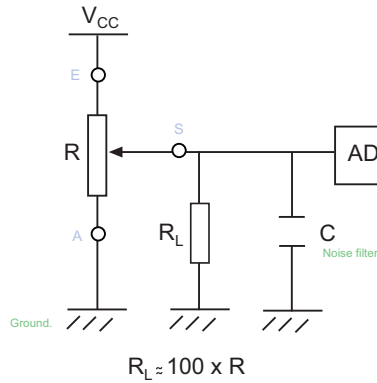
Piher Sensors & Controls SA
Polígono Industrial Municipal
Vial T2 N°22
31500 Tudela, Navarra, Spain

Tel: +34 948 820450
Fax: +34 948 824050

sales@piher.net
www.piher.net

RECOMMENDED CONNECTIONS

Piher potentiometer's recommended connection circuit for a position sensor or control application. (voltage divider circuit electronic design).



Disclaimer

The product information in this catalogue is for reference purposes. Please consult for the most up to date and accurate design information.

Piher Sensors & Controls S.A., its affiliates, agents, and employees, and all persons acting on its or their behalf (collectively, "Piher"), disclaim any and all liability for any errors, inaccuracies or incompleteness contained herein or in any other disclosure relating to any product described herein.

Piher disclaims any and all liability arising out of the use or application of any product described herein or of any information provided herein to the maximum extent permitted by law. The product specifications do not expand or otherwise modify Piher's terms and conditions of sale, including but not limited to the warranty expressed therein, which apply to these products.

No licence, express or implied, by estoppel or otherwise, to any intellectual property rights is granted by this document or by any conduct of Piher.

The products shown herein are not designed for use in medical, life-saving, or life-sustaining applications unless otherwise expressly indicated. Customers using or selling Piher products not expressly indicated for use in such applications do so entirely at their own risk and agree to fully indemnify Piher for any damages arising or resulting from such use or sale. Please contact authorised Piher personnel to obtain written terms and conditions regarding products designed for such applications.

Product names and markings noted herein may be trademarks of their respective owners.

All Piher products can be adapted to meet customer's requirements.
Please always use the latest updated datasheets published at our website www.piher.net.

Information contained in and/or attached to this catalogue may be subject to export control regulations of the European Community, USA, or other countries. Each recipient of this document is responsible to ensure that usage and/or transfer of any information contained in this document complies with all relevant export control regulations. If you are in any doubt about the export control restrictions that apply to this information, please contact the sender immediately. For any Piher Exports, Note: All products / technologies are EAR99 Classified commodities. Exports from the United States are in accordance with the Export Administration Regulations. Diversion contrary to US law is prohibited.

