

TYPICAL APPLICATIONS

For more than 20 years PIHER has been manufacturing rotary switches for all types of applications. Cost-effective and highly customisable products with our huge experience in adapting them to customers' needs when necessary. We have the best solution for all your rotary switching needs. Our products are widely used in Automotive, Consumer and Multimedia applications due to their excellent performance and quality/price ratio. ISO TS1649, ISO14001, ISO 9001, Lead-Free compliance and hundreds of satisfied customers are the best presentation card. Here we are presenting to you our Rotary Switches based on our PT series. We strongly recommend you to visit www.piher.net for our S15 and T-21 rotary switches and our full product range that includes Potentiometers, Encoders and Position Sensors.



Fully Customisable



Cost Effective



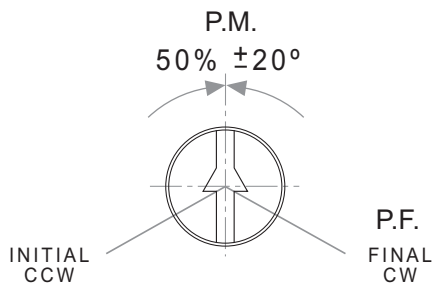
Easy Design

GENERAL SPECIFICATIONS

Power Rating: 24V / 15mA
 ON position resistance: $\leq 5 \Omega$
 Insulation Resistance: $\geq 30 M\Omega$

10mm Rotary Switch (based on PT-10)

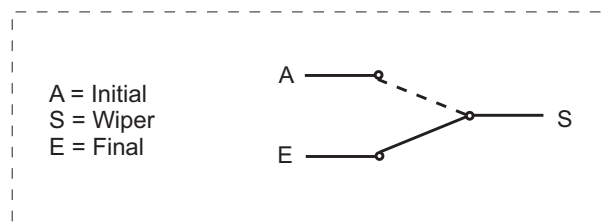
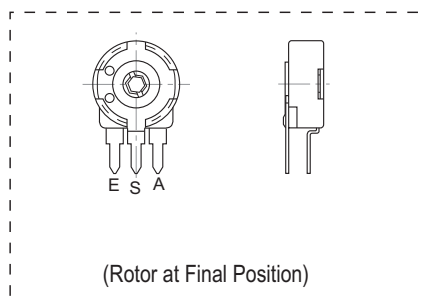
Positioning (Std. Position = CCW)



FEATURES

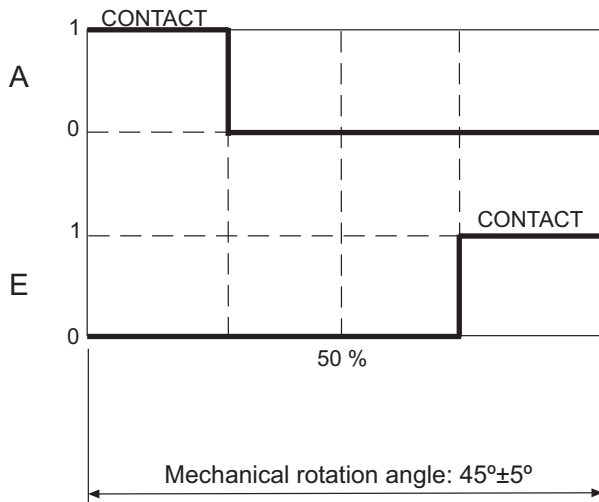
- Carbon resistive element.
- IP54 protection according to IEC 60529.
- Polyester substrate.
- Also upon request:
 - Wiper positioned at 50% or fully clockwise
 - Supplied in magazines for automatic insertion
 - Long life model PT-10...E (10K cycles)
 - Self extinguishable plastic (VL94V0)
 - Cost-effective steel leads
- Pb-Free according to ELV 2000/53/EC / RoHS 2002/95/EC

STANDARD CONFIGURATIONS

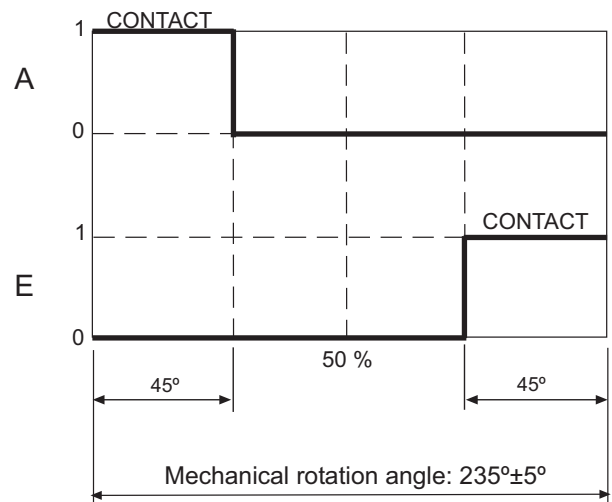


NOTE: The information contained here should be used for reference purposes only. For further information please contact your nearest PIHER supplier at www.piher.net

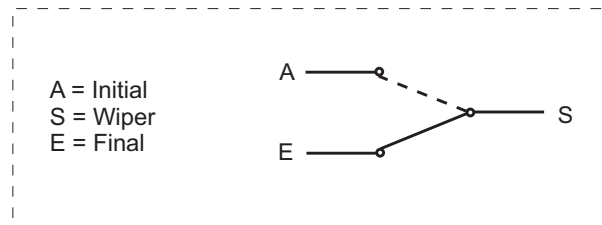
STANDARD CONFIGURATIONS



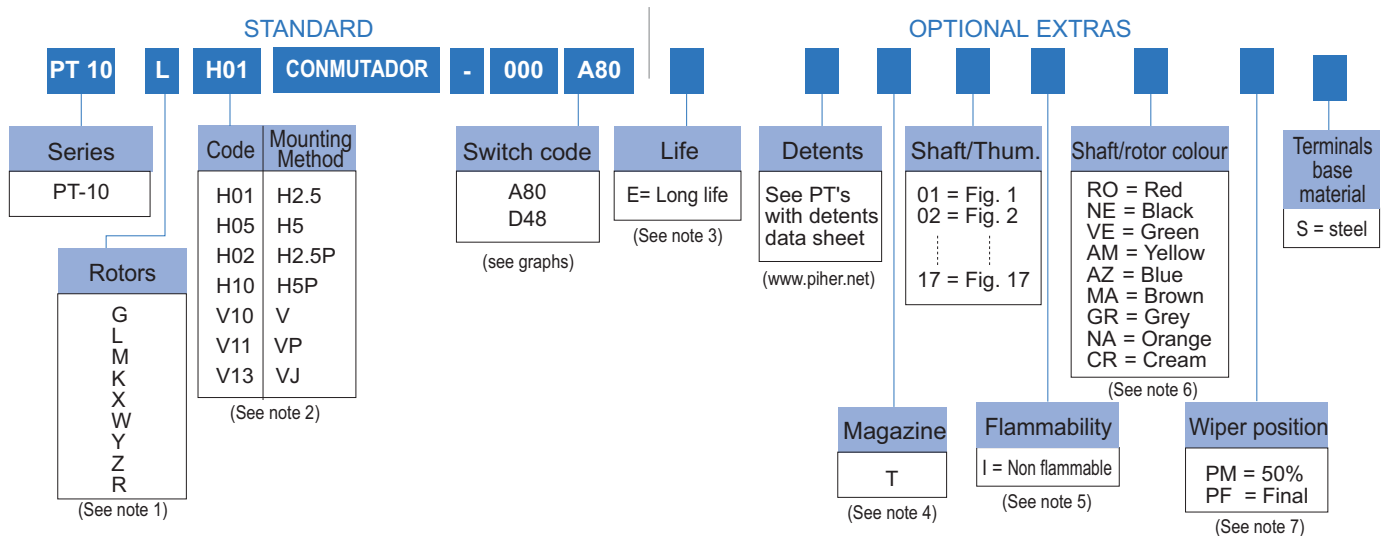
D48 Switch code (Housing colour: green)



A80 Switch code



HOW TO ORDER



NOTES:

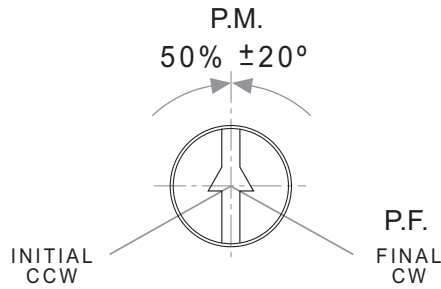
- "Z" adjustment only available on "H" versions. Rotor "G" only available in purple (shaft/rotor colour "VI").
- Terminals styles: "P" & "J" are crimped terminals. V=Vertical adjust; H=Horizontal Adjust
- Life
 - A80... 50 cycles
 - D48... Standard: 500 cycles; Long Life: 10K cycles
- Magazines: not available with the H10, V05 and V13 models, nor with adjustment types X, W, Y, Z. Magazines also not available with D48 switch code H versions.
- Non flammable: housing, rotor and shaft.
- Colour shaft/rotor:
 - Potentiometer without shaft: only rotor
 - Potentiometer with shaft: only shaft
 - Cream colour only available in standard plastic.
- PM not available for D48

Please see PT-10 datasheet for further information (www.piher.net)

NOTE: The information contained here should be used for reference purposes only.

10mm Rotary Switch (based on PTC-10)

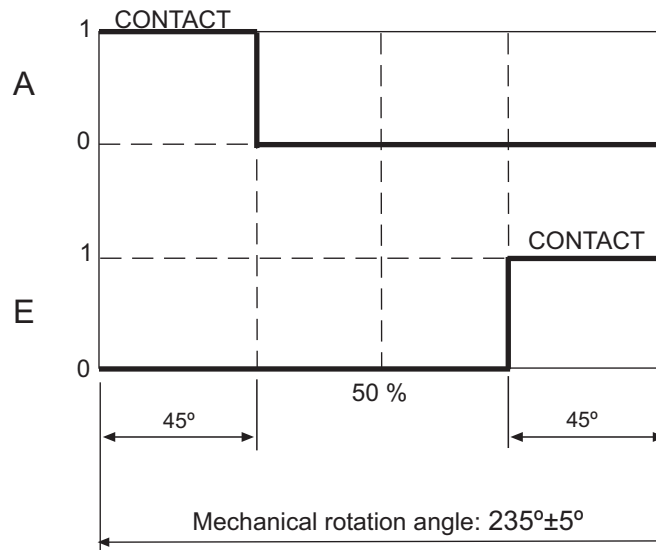
Positioning (Std. Position = CCW)



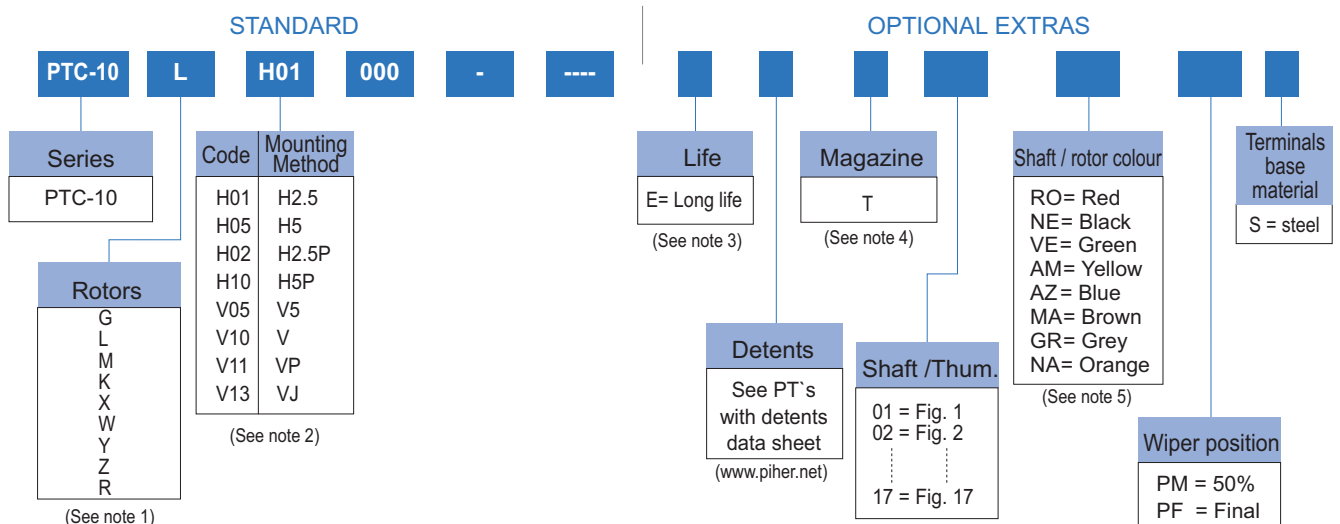
FEATURES

- Cermet resistive element.
- IP54 protection according to IEC 60529.
- Plastic material according to UL94V-0
- Alumina substrate.
- Also upon request:
 - Wiper positioned at 50% or fully clockwise.
 - Supplied in magazines for automatic insertion.
 - Long life model for low cost control pot. applications
 - Customisation according to customer's needs.
 - Mechanical detents
 - Cost-effective steel leads
- Pb-Free according to ELV 2000/53/EC / RoHS 2002/95/EC

STANDARD CONFIGURATION



HOW TO ORDER



NOTES:

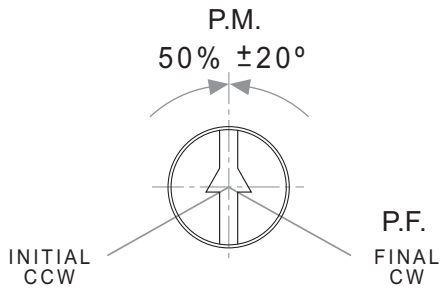
- (1) "Z" adjustment only available on "H" versions. Rotor "G" only available in purple (shaft/rotor colour "V").
- (2) Terminal styles: "P" & "J" are crimped terminals. V=Vertical adjust; H=Horizontal Adjust
- (3) Life
 - Standard 100 cycles
 - Long life 10K cycles
- (4) Magazines: not available with the H10, V05 and V13 models, nor with adjustment types X, W, Y, Z.
Non flammable: housing, rotor and shaft.
- (5) Colour shaft/rotor:
 - Potentiometer without shaft: only rotor
 - Potentiometer with shaft: only shaft

Please see PTC-10 datasheet for further information (www.piher.net)

NOTE: The information contained here should be used for reference purposes only.

15mm Rotary Switch (based on PTC-15)

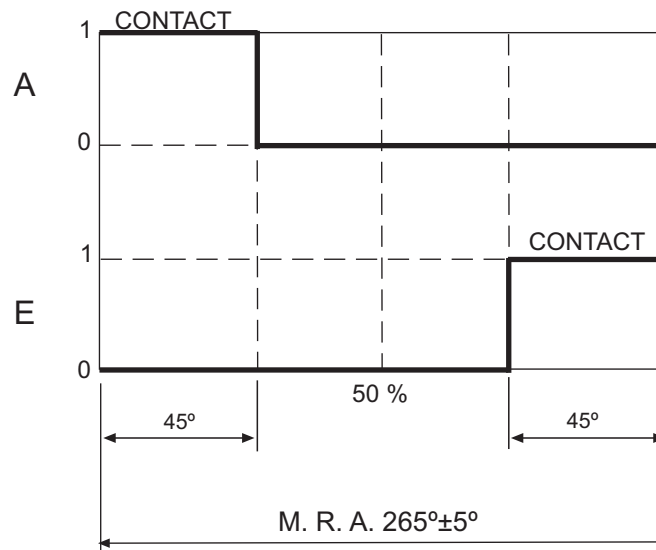
Positioning (Std. Position = CCW)



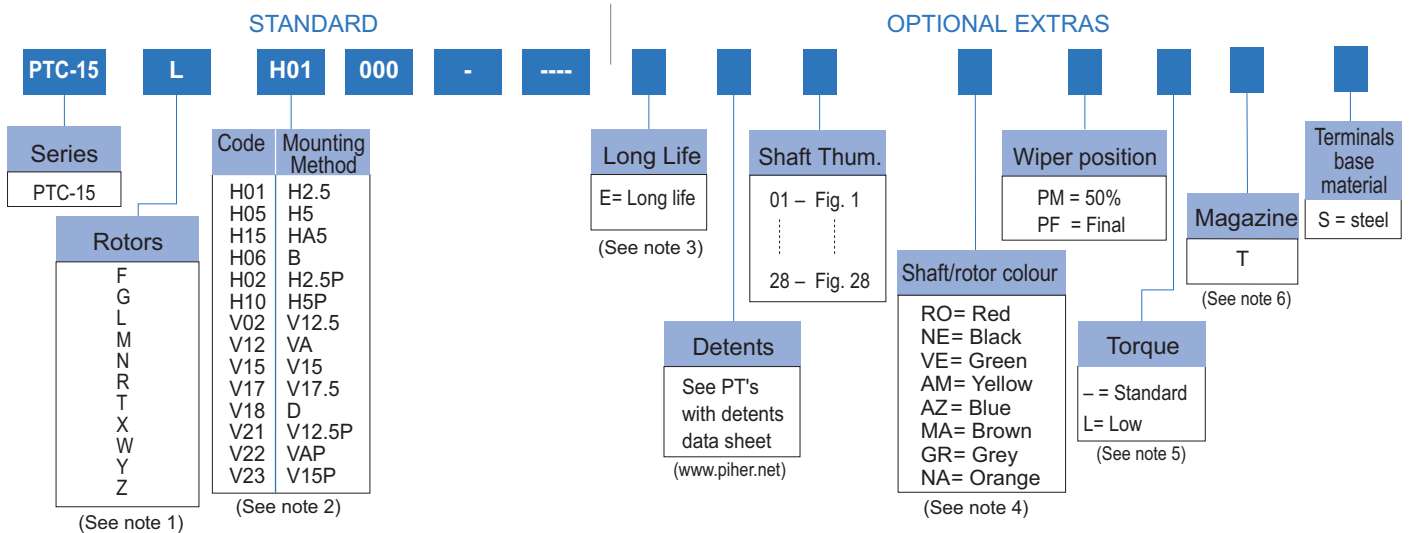
FEATURES

- Cermet resistive element.
- IP54 protection according to IEC 60529.
- Plastic material according to UL94V-0
- Alumina substrate.
- Also upon request:
 - Wiper positioned at 50% or fully clockwise.
 - Supplied in magazines for automatic insertion.
 - Long life model for low cost control pot. applications
 - Customisation according to customer's needs.
 - Mechanical detents
 - Cost-effective steel leads
- Pb-Free according to ELV 2000/53/EC / RoHS 2002/95/EC

STANDARD CONFIGURATION



HOW TO ORDER



NOTES:

- "Z" adjustment only available on "H" versions. Standard colour for the "T" rotor: Orange
- Terminals styles: "P" are crimped terminals. V=Vertical adjust; H=Horizontal Adjust
- Life
 - Standard 100 cycles
 - Long life 10K cycles
- Colour shaft/rotor:
 - Potentiometer without shaft: only rotor
 - Potentiometer with shaft: only shaft
- Low torque: ≤1.5Ncm. No detent option available for low torque models.
- Magazines (35 pcs/mag): available for VA (12.5), V (12.5), V (12.5P), V (15), V15 (P) and H models. For more information please contact your nearest Piher supplier.

Please see PTC-15 datasheet for further information (www.piher.net)

NOTE: The information contained here should be used for reference purposes only.

Disclaimer

The product information in this catalogue is for reference purposes. Please consult for the most up to date and accurate design information.

Piher Sensors & Controls S.A., its affiliates, agents, and employees, and all persons acting on its or their behalf (collectively, "Piher"), disclaim any and all liability for any errors, inaccuracies or incompleteness contained herein or in any other disclosure relating to any product described herein.

Piher disclaims any and all liability arising out of the use or application of any product described herein or of any information provided herein to the maximum extent permitted by law. The product specifications do not expand or otherwise modify Piher's terms and conditions of sale, including but not limited to the warranty expressed therein, which apply to these products.

No licence, express or implied, by estoppel or otherwise, to any intellectual property rights is granted by this document or by any conduct of Piher.

The products shown herein are not designed for use in medical, life-saving, or life-sustaining applications unless otherwise expressly indicated. Customers using or selling Piher products not expressly indicated for use in such applications do so entirely at their own risk and agree to fully indemnify Piher for any damages arising or resulting from such use or sale. Please contact authorised Piher personnel to obtain written terms and conditions regarding products designed for such applications.

Product names and markings noted herein may be trademarks of their respective owners.

Information contained in and/or attached to this catalogue may be subject to export control regulations of the European Community, USA, or other countries. Each recipient of this document is responsible to ensure that usage and/or transfer of any information contained in this document complies with all relevant export control regulations. If you are in any doubt about the export control restrictions that apply to this information, please contact the sender immediately. For any Piher Exports, Note: All products / technologies are EAR99 Classified commodities. Exports from the United States are in accordance with the Export Administration Regulations. Diversion contrary to US law is prohibited.



All Piher products can be adapted to meet customer's requirements.
Please always use the latest updated datasheets published at our website www.piher.net